

# LED Floor Lamp

# FL70355

INSTALLATION SHEET

## START FROM HERE

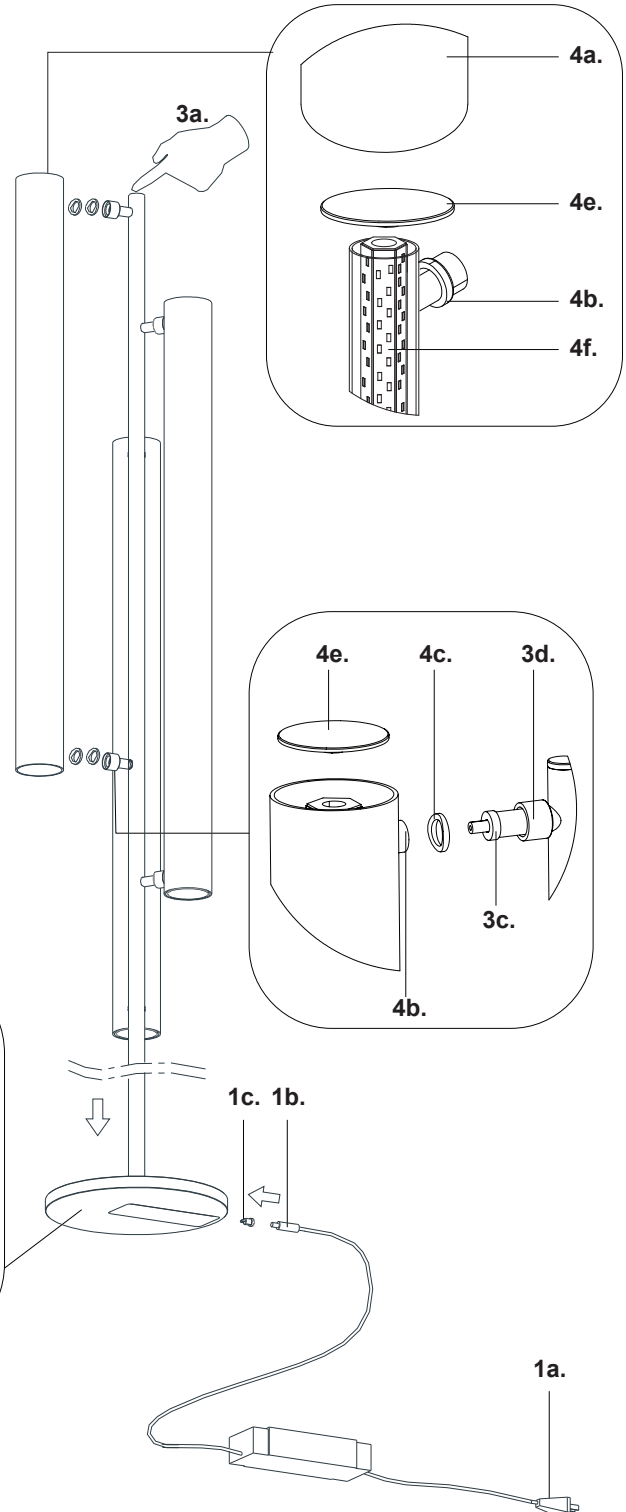
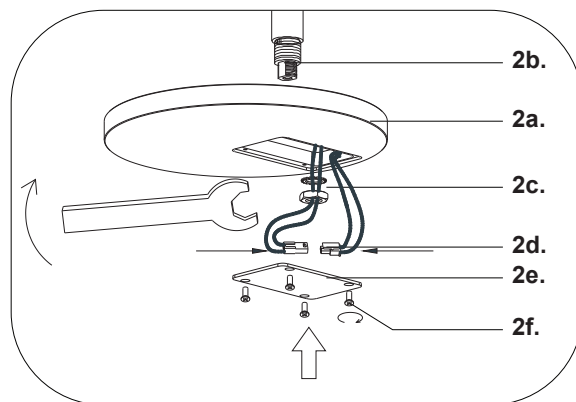
- Prepare everything in a clear area
- Wear gloves at all time during this installation
- Read instructions carefully before you start assembly
- Keep this installation sheet for future reference

### Please Note:

- This Kuzco LED fixtures come with pre-wired LED module(s)
- Unless instructed, Do Not touch any part of the LED module(s) as any unnecessary contact with the module could cause permanent damage
- Touch Dimmer
- 120V input

Technical Support: 1-855-855-8926

1. Remove the fixture from it's original packaging
2. Remove end caps (4e) from LED assembly (4f)
3. Gently slide LED assembly (4f) into glass tube (4a) until connector receptacles (4b) can be exposed through on glass, secure by installing end caps (4e)
4. Insert rubber wave washer (4c) onto each connector receptacle (4b) post, and then insert coaxial connector (3c) to make electrical connection, secure with threaded cap (3d)
5. Separate base cover (2e) from base (2a) by removing screws (2f) with screw driver
6. Insert rod (2b) through hole on base (2a) and secure with washer and nut (2c). Connect wires together (2d) and secure the base plate (2e) to the base with screws (2f)
7. Insert driver connector (1b) to tip (1c) and connect to base (2a)
8. Plug driver (1a) into outlet
9. Use hand to activate dimmer (3a). Touch and hold to dim, touch to turn on/off.



# KUZCO

19054 28th Avenue Surrey, BC Canada V3Z 6M3  
T: 604 538 7162 TF: 1-855 85 KUZCO F: 604 538 7196  
W: kuzcolighting.com  
20220513